



Main-IoT LEAK GUARD

Protect your property against
moisture damage

Operating principle and purpose of use

Main-IoT Leak Guard is designed to prevent any harm and costs resulting from water damage. The device is attached directly to the system to be monitored, or in its immediate vicinity. Typical applications in households include dishwashers and washing machines located in dry rooms, as well as their connections. Leak Guard is designed to be used indoors.

Leak Guard is equipped with a sensitive moisture sensor. If the sensor gets wet, the alarm service sends a text message about the detected leak to the user's mobile phone. If the message is not acknowledged within one minute, the alarm service will place a call to the same number. Before these alarms can be received on mobile phones, Main-IoT Leak Guard must be connected to the Main-IoT alarm service and at least one telephone number must be registered.

Note: Please remember that Leak Guard is not a substitute for home insurance. It also does not prevent any damage, but it provides you with on-the-spot information about any damage when you are not at home. As a result, you can effectively limit the extent of the damage or even prevent the damage altogether.

Leak Guard is a radio device which operates in the global Sigfox IoT network. The network is operated by national operators. Even though the network covers most households, it may not work in all parts of your country. More information about coverage areas is available at www.main-iot.com. The coverage of every installation should be verified, using the "Test your Leak Guard" function of the alarm service. The test should be carried out in the final installation location.

A list of operators in other locations is available at <https://partners.sigfox.com/companies/sigfox-operator>.

IN CASE OF A LEAK:

In case of a leak, switch off the leaking system, close the main water supply valve and immediately call your maintenance company or building manager. Once you have limited the damage, report the damage to your insurance company. Leak Guard is again ready for use once the sensor has thoroughly dried.

Registration and activation

1. **Activate your Leak Guard** by pressing the test button for three seconds. To indicate that your device has been activated, the light in the droplet on your device will blink five times: three short blinks followed by two blinks in a few seconds. The operating period of your Main-IoT Leak Guard and alarm service starts with this activation
- 2A. **Read the QR code** from the back of the device with a QR reader.
- 2B. Go to <http://register.main-iot.com>
 - Check the device ID from the label at the back of the device. Enter it in the designated field.
 - Click the "Find your Leak Guard" button.
3. Click the "Activate alarm service" button.
4. Briefly **press the test button** on the side of your Leak Guard until the light flashes. Wait for a few seconds. The activation of the alarm service will automatically proceed to the next phase.
5. **Enter your telephone number** in the designated field. Click the "Confirm" button. You can enter a maximum of three different telephone numbers to which the Leak Guard alarm service sends alarms. Please note that messages of less importance, on the status of the device and alarm service, are only sent as text messages to the first number.
6. **Enter the four-digit confirmation code** you received as a text message in the designated field.
7. Finally, click the "Register" button. The alarm service has now been activated, and your Leak Guard is ready for use.

Installation

Attach the moisture sensor of Main-IoT Leak Guard to the monitored system horizontally with the "Main-IoT" text pointing upwards. The sensor must be located below the probable leak or in its immediate vicinity.

Attach the radio unit using the two-sided sticker delivered with the device or small screws (not included in the delivery). For example, it should be installed in a kitchen cupboard or underneath the sink. Do not install the device on a metal surface, as it reduces the signal coverage. Finish the installation by using cable ties. If you encounter any problems with coverage, try to install the radio section in an open space, such as close to a window. Check the coverage after installation.

Testing the device during operation

The device does not need to be tested during the operating period. Leak Guard self-monitors its operation and, if there is a problem, sends a text message to the first registered telephone number. The device will send a message if it cannot establish a connection with the network or if the battery level is low. You will be reminded with a text message when the usage period is about to end.

Maintenance and cleaning instructions

Clean Leak Guard regularly, using a dry or slightly moist cloth. Do not use any washing agents. Keep the radio unit dry. Also remember to clean the sensor from time to time.

INSTRUCTIONS

Recycling

Leak Guard is designed to operate at temperatures between 0 and 50°C. Do not expose the device to a high temperature variation to prevent any moisture from condensing inside the device. Cold weather may shorten the battery life.

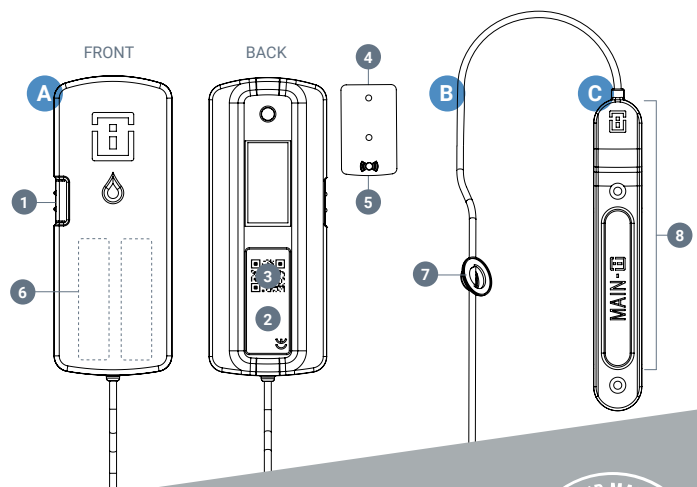
Do not dispose of the device with mixed waste. Return it to the purchase location or other recycling point. You can check the location of your nearest recycling point from the waste management services or your local authorities.

Technical properties

Leak Guard is powered by two AAA alkaline batteries pre-installed at the factory. The battery life is approximately ten years when in regular use.

The device operates in the Sigfox IoT network for the operating period included at the purchase price, after which you can buy extended time at www.main-iot.com. The purchase price also includes the Main-IoT alarm service for the operating period or 30 alarm messages, whichever limit is reached first. A single alarm requires 1–6 alarm messages, depending on how many telephone numbers are connected to the device and how you react to each alarm. Text messages sent due to an alarm and answered alarm calls are regarded as alarm messages.

In normal use, you do not need to buy additional alarm service messages. However, if you reach the limit set for alarm messages before the operating period ends, you can buy more messages at www.main-iot.com. You can check the number of your remaining messages and your remaining operating period at <http://register.main-iot.com>. When you only have six alarm messages remaining, a text message will be sent to the first registered telephone number.



A. Radio device

1. Test button
2. ID sticker
3. QR code
4. Mounting sticker
5. Mounting clip
6. 2 AAA Alkaline cells

B. Cable

7. Cable tie

C. Moisture sensor

8. Detection area

Discover more:
MAIN-IOT.COM

Manufactured by
XORTEC OY

Höytämöntie 6,
33880 Lempäälä
FINLAND

Tel. +358 10 424 0900
xortec@xortec.fi
xortec.fi



Main-IoT Leak Guard works on
the global **Sigfox IoT** network.

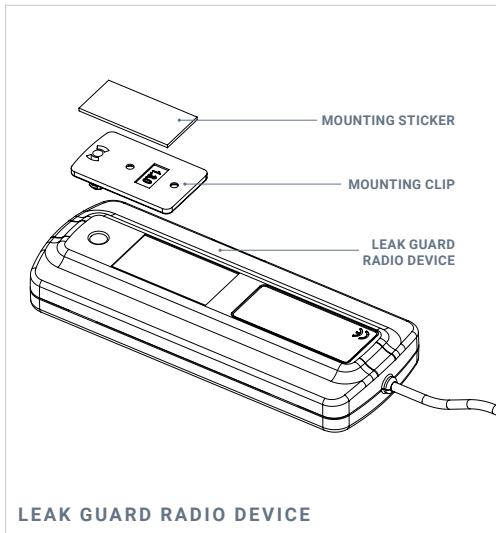
XORTEC
RETHINKING ELECTRONICS



Main-IoT LEAK GUARD

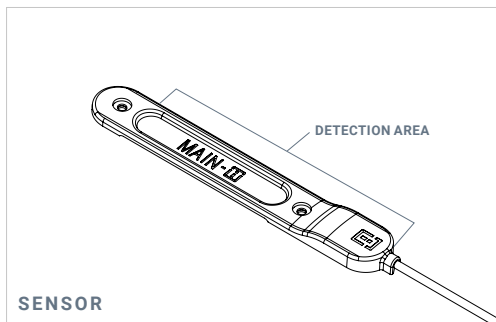
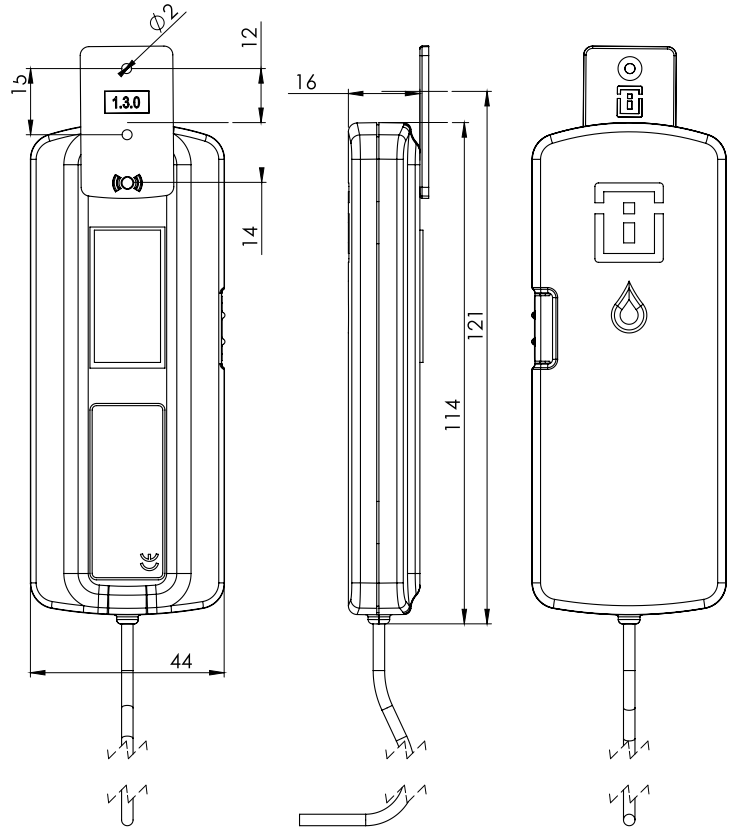
Protect your property against moisture damage

Dimensions



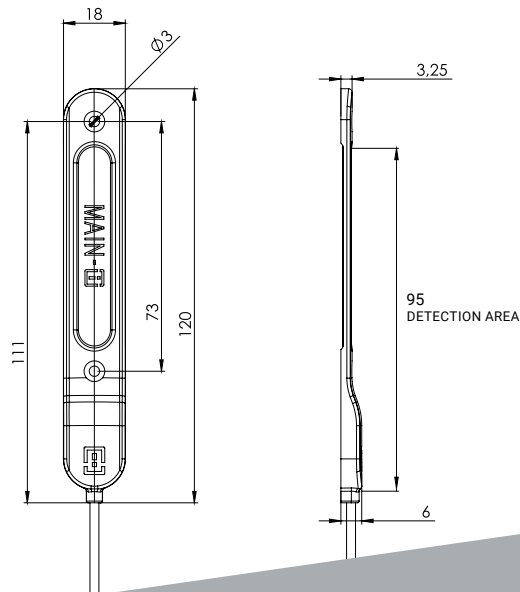
LEAK GUARD RADIO DEVICE

Device measurements (W x D x H)	44 x 16 x 114 mm
Distance between mounting holes	15 mm
Mounting hole diameter	ø 2 mm
Cord between device and sensor (incl. sensor)	150 cm



SENSOR

Sensor measurements (W x D x H)	18 x 6 x 120 mm
Detection area	95 mm
Distance between mounting holes	73 mm
Mounting hole diameter	ø 3 mm



Discover more:
MAIN-IOT.COM

Manufactured by
XORTEC OY

Höytämöntie 6,
33880 Lempäälä
FINLAND

Tel. +358 10 424 0900
xortec@xortec.fi
xortec.fi



Main-IoT Leak Guard works on
the global Sigfox IoT network.

XORTEC
RETHINKING ELECTRONICS